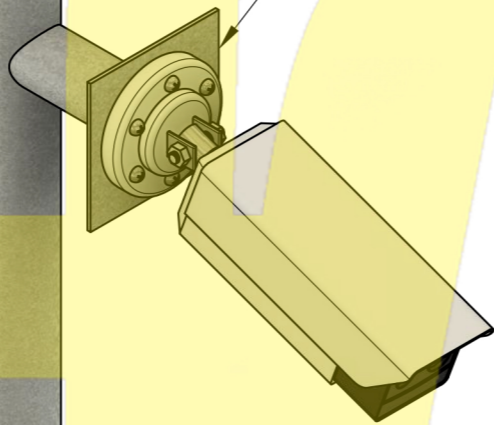


Floodlight  
Connection Plate

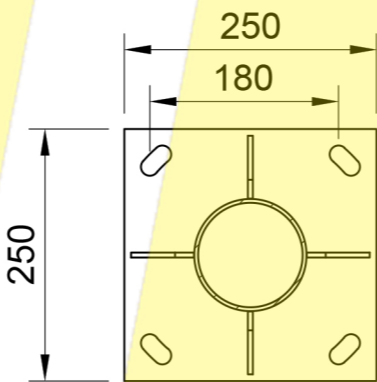


Camera Connection  
Plate

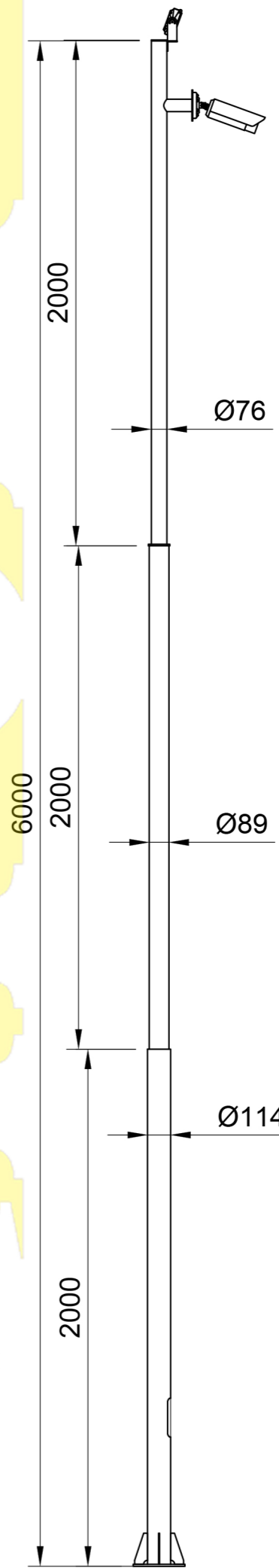
Detail



Anchor Bolt  
4\*M16\*576



Base Plate  
t=10mm



6000

2000

2000

2000

Ø76

Ø89

Ø114